



OVERLAND RUNNING BOARDS

Assembly, Installation, Operation,
and Maintenance Instructions

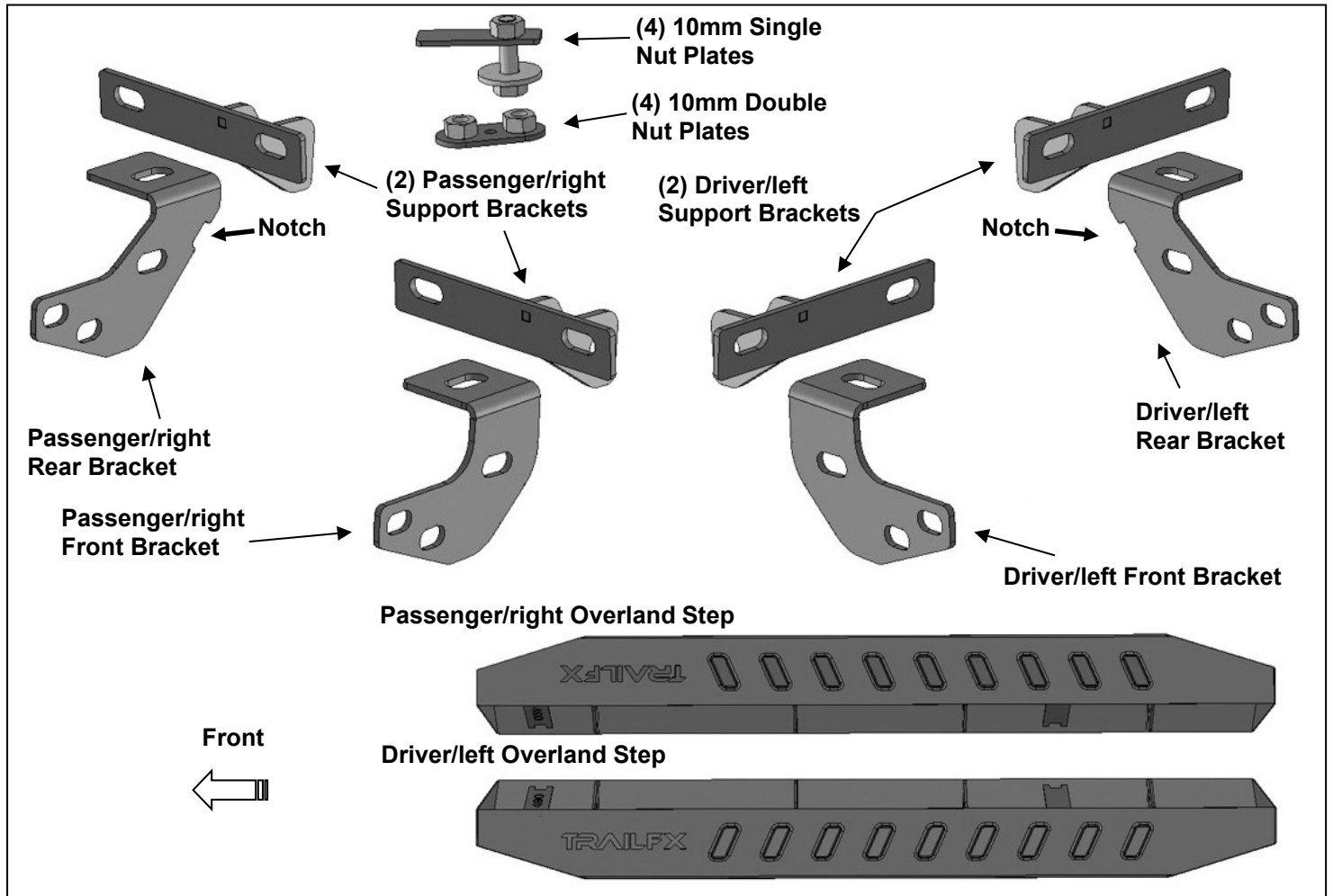
PART NUMBER	ORB006
INSTALL TIME	120 MINUTES

2007-2018 JEEP WRANGLER JK 2 DOOR

DEALER / INSTALLER	Provide a copy of these instructions to the end user of this product. These instructions provide important operating and safety information for proper usage of this product. Demonstrate the proper use of the product with the end user. Have the end user demonstrate that they understand the proper use of the product.
END USER	Read and follow all instructions included in this manual. Ask your Dealer/Installer for assistance if you do not understand the proper use of the product. Never remove any decals from the product. Failure to follow these instructions can result in injury or death.

PACKAGE CONTENTS

DRIVER/LEFT OVERLAND RUNNING BOARD	1	10-1.5mm X 30mm HEX BOLTS	12
PASSENGER/RIGHT OVERLAND RUNNING BOARD	1	10mm X 34mm X 3mm STD FLAT WASHERS	4
DRIVER/LEFT FRONT MOUNTING BRACKET	1	10mm X 20mm X 2mm SMALL FLAT WASHERS	16
PASSENGER/RIGHT FRONT MOUNTING BRACKET	1	10mm LOCK WASHERS	12
DRIVER/LEFT REAR MOUNTING BRACKET	1	10mm NYLON LOCK NUTS	4
PASSENGER/RIGHT REAR MOUNTING BRACKET	1	8-1.25mm X 35mm HEX BOLTS	4
DRIVER/LEFT SUPPORT BRACKETS	2	8mm X 28mm X 3mm FLAT WASHERS	4
PASSENGER/RIGHT SUPPORT BRACKETS	2	8mm LOCK WASHERS	4
10-1.5mm DOUBLE NUT PLATES	4	6-1.0mm X 25mm HEX BOLTS	8
10-1.5mm SINGLE NUT PLATES	4	6mm X 22mm X 2mm FLAT WASHERS	16
10-1.5mm X 35mm HEX BOLTS	4	6-1.0mm NYLON LOCK NUTS	8

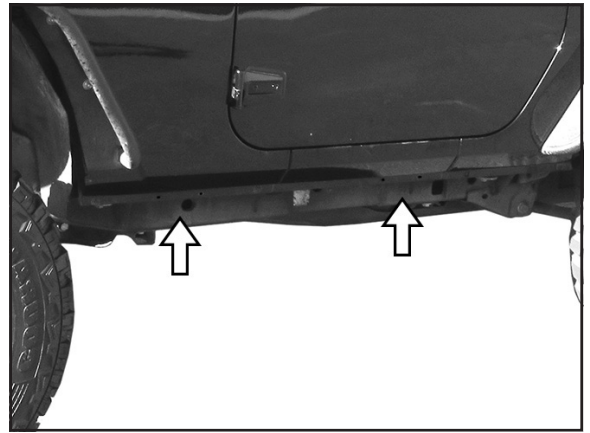


PROCEDURE

REMOVE CONTENTS FROM BOX. VERIFY ALL PARTS ARE PRESENT. READ INSTRUCTIONS CAREFULLY. FACTORY INSTALLED OR AFTERMARKET "ROCK RAILS," SIDE STEPS OR RUNNING BOARDS MUST BE REMOVED.

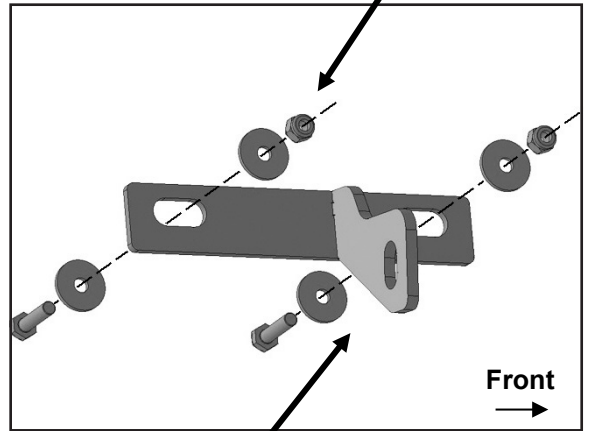
1. Start installation toward the front of the driver/left side of the vehicle. Locate the factory running board mounting holes in the pinch weld and floor directly behind the pinch weld, (Figure 1).
2. Separate the driver/left Front and Rear Mounting and Support Brackets from the Bracket kit. Select (1) driver/left side Support Bracket, (Figure 2). Attach the Support Bracket to the back of the pinch weld with the included (2) 6mm Hex Bolts, (4) 6mm Flat Washers and (2) 6mm Nylon Lock Nuts. Do not tighten hardware at this time.
3. Select the driver/left front Mounting Bracket, (Figure 3). **IMPORTANT:** Use the illustration above and (Figure 3) to help determine the correct Mounting Bracket for each mounting location.

Driver/Left Side Installation Pictured

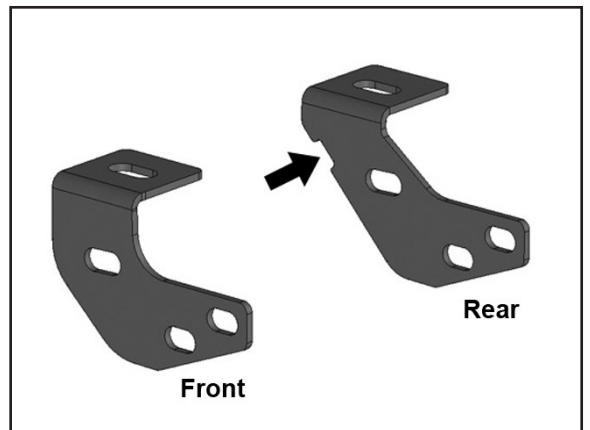


(Figure 1) Locate the (2) factory running board mounting locations on pinch weld (arrows).

(2) 6mm x 25mm Hex Bolts
(4) 6mm Flat Washers
(2) 6mm Nylon Lock Nuts



(Figure 2) Attach (1) driver/left Support Bracket to the back of the pinch weld. Note tab on Bracket offset toward front.



(Figure 3) Select the driver/left front Mounting Bracket. Note notches cut from Rear Brackets for identification purposes (arrows).

PROCEDURE (CONTINUED)

4. Determine if the vehicle has an "open" floor panel (no threaded mounting hole) or has a threaded hole in the floor panel, **(Figures 4 & 8)**.

Vehicles without factory threaded hole in floor panel:

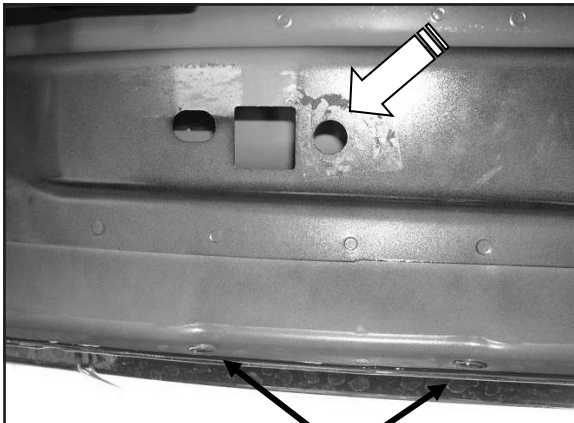
a. Insert (1) 10mm Nut Plate into the large square opening in the floor panel. Line up the threaded nut with the hole in between the pair of holes on the pinch weld, **(Figures 4-6)**.

b. Attach the tab on the Mounting Bracket to the Nut Plate with (1) 10mm x 35mm Hex Bolt, (1) 10mm Lock Washer and (1) 10mm x 34mm Large Flat Washer, **(Figure 7)**. Do not tighten hardware.

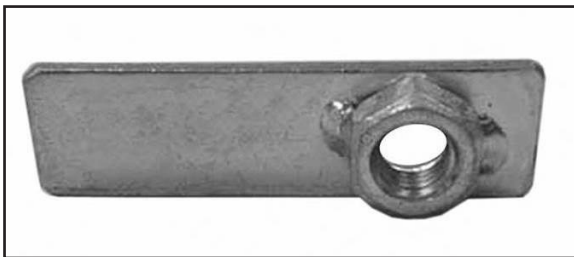
Vehicles with factory threaded hole in floor panel:

a. Locate the threaded hole in the front mounting location, **(Figure 8)**.

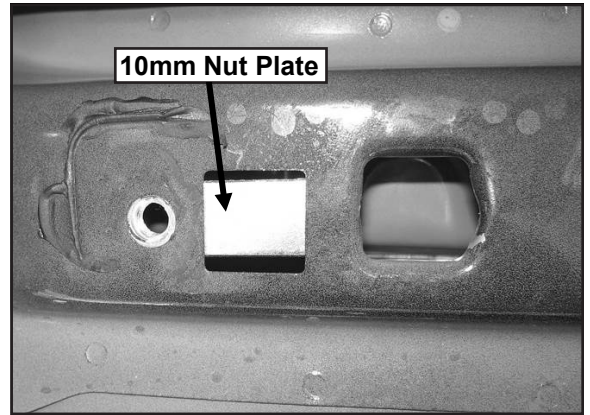
Driver/Left Side Installation Pictured



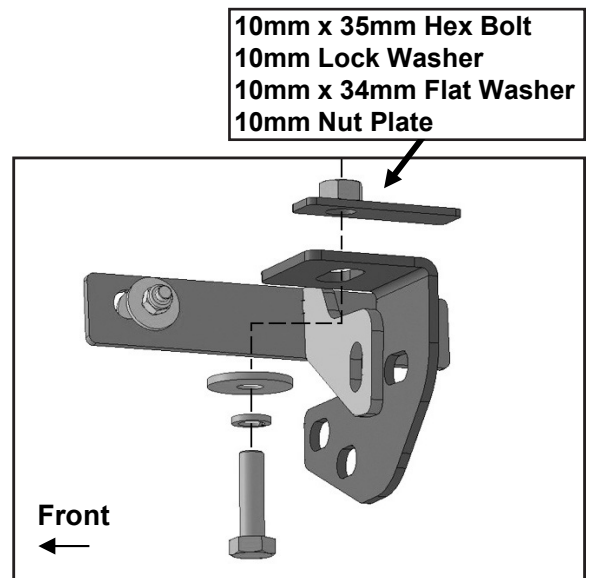
(Figure 4) Models with open mounting location, line up the 10mm Nut Plate with the hole in floor panel and Bracket (driver/left side pictured).



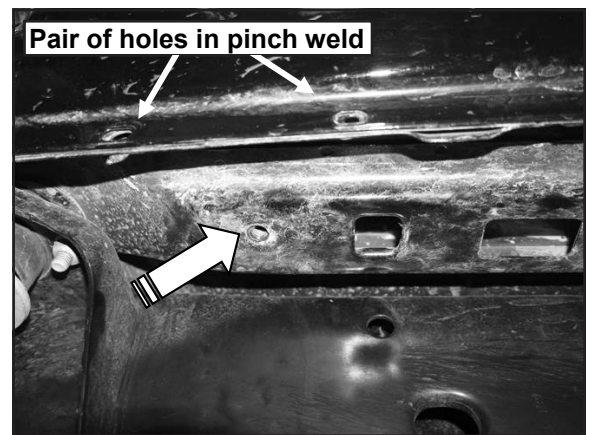
(Figure 5) 10mm Nut Plate.



(Figure 6) 10mm Nut Plate installed.



(Figure 7) Attach driver/left Front Mounting Bracket to Nut Plate in floor.



(Figure 8) Models with factory threaded hole in floor (driver/left side pictured).

PROCEDURE (CONTINUED)

b. Attach the tab on the Mounting Bracket to the threaded hole in the floor panel with (1) 8mm x 35mm Hex Bolt, (1) 8mm Lock Washer and (1) 8mm x 28mm Large Flat Washer, **(Figure 9)**. Do not tighten hardware at this time.

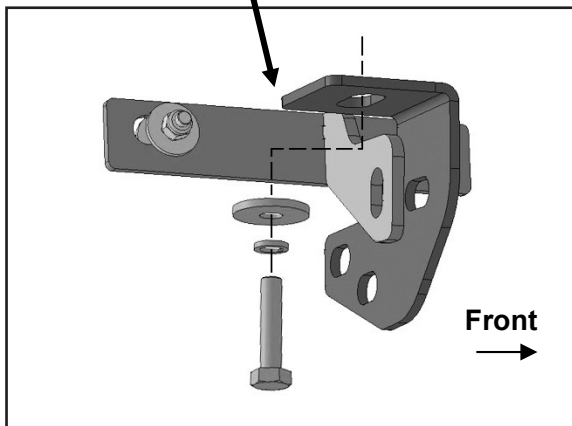
5. Next, attach the front Mounting Bracket to the front Support Bracket with the included (1) 10mm x 30mm Hex Bolt, (2) 10mm x 20mm Small Flat Washers and (1) 10mm Nylon Lock Nut, **(Figure 10)**. Do not fully tighten hardware at this time.

6. Move to the rear mounting location. Select the remaining driver/left Support Bracket. Repeat **Step 2** to attach the Bracket to the back of the pinch weld, **(Figure 11)**.

7. Select the driver/left Rear Mounting Bracket, **(Figures 3 & 11)**. Repeat **Steps 3-5** to attach the rear Bracket to the floor panel and Support Bracket, **(Figure 11)**.

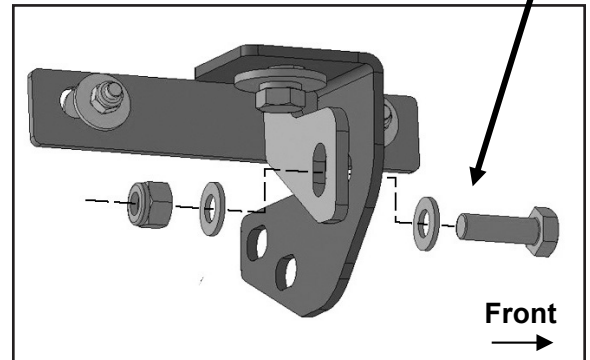
Driver/Left Side Installation Pictured

Vehicles with threaded insert:
8mm x 35mm Hex Bolt
8mm Lock Washer
8mm x 28mm Flat Washer



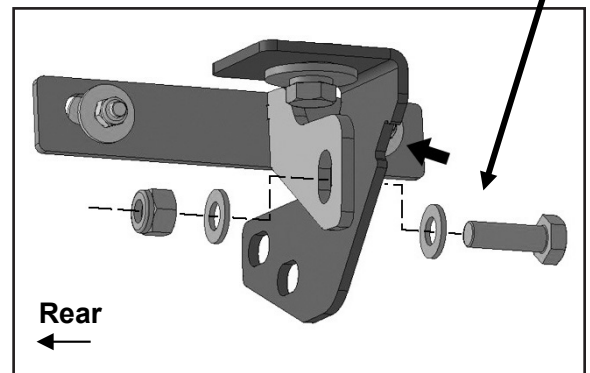
(Figure 9) Attach driver/left Front Bracket to threaded hole in floor panel.

10mm x 30mm Hex Bolt
(2) 10mm x 20mm Small Flat Washers
10mm Nylon Lock Nut



(Figure 10) Attach driver/left Front Mounting Bracket to Support Bracket.

10mm x 30mm Hex Bolt
(2) 10mm x 20mm Small Flat Washers
10mm Nylon Lock Nut



(Figure 11) Attach driver/left Rear Mounting Bracket to Support Bracket. Note notch on Bracket for identification purposes (arrow).

PROCEDURE (CONTINUED)

8. Carefully unwrap the Overland Steps. Select the driver/left Overland Step. With assistance, hold the Overland Step up to the rear facing side of the Mounting Brackets. Attach the Overland Step to the front Bracket with the included (2) 10mm x 30mm Hex Bolts, (2) 10mm Lock Washers, (2) 10mm Flat Washers and (1) 10mm Double Nut Plate, **(Figure 12)**. Repeat this **Step** to attach the Overland Step to the rear Mounting Bracket, **(Figure 13)**.

9. Align and adjust the Overland Step and fully tighten all hardware.

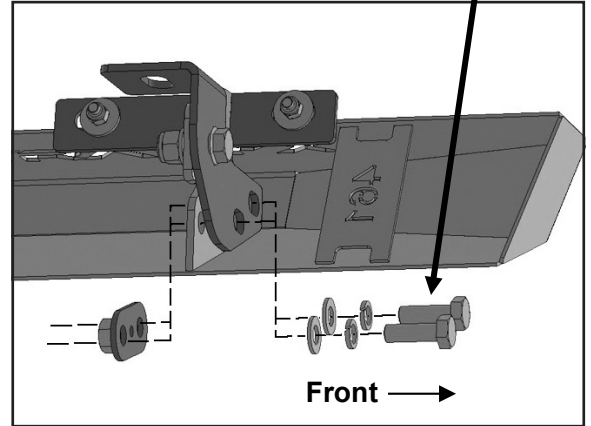
10. Repeat **Steps 1-9** to attach the passenger/right Overland Step.

11. Do periodic inspections to the installation to make sure that all hardware is secure and tight.

To protect your investment; Do not use any type of polish or wax that may contain abrasives that could damage the finish. Mild soap may be used to clean the Overland Steps.

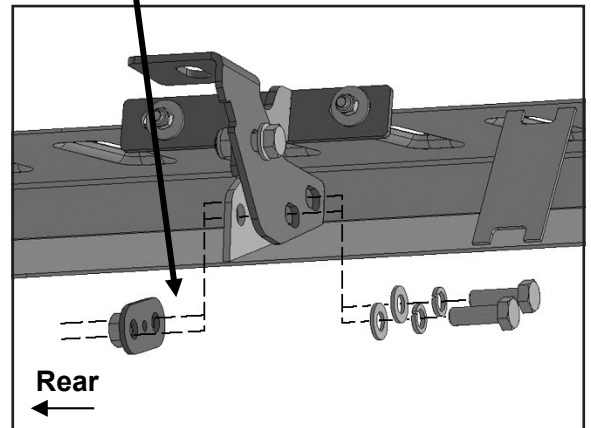
Driver/Left Side Installation Pictured

(2) 10mm x 30mm Hex Bolts
(2) 10mm Lock Washers
(2) 10mm x 20mm Small Flat Washers
10mm Double Nut Plate



(Figure 12) Attach driver/left side step to Front Bracket.

(2) 10mm x 30mm Hex Bolts
(2) 10mm Lock Washers
(2) 10mm x 20mm Small Flat Washers
10mm Double Nut Plate



(Figure 13) Attach driver/left side step to Rear Bracket.

PRODUCT CARE

- Periodically check the product to ensure all fasteners are tight and components are intact.
- Regular waxing is recommended to protect the finish of the product.
- Use ONLY Non-Abrasive automotive wax. Use of any soap, polish or wax that contains an abrasive is detrimental and can scratch the finish leading to corrosion.
- Mild soap may be used to clean the product for Black finish.

FAQs

Hardware and mounting brackets are not aligning properly.	Ensure that hardware is being used on the correct side of vehicle. In some cases, the hardware may appear the same for driver and passenger side but may alter the alignment of mounting location. Check mounting brackets for both sides.
Products are thumping / rattling after Installation.	Ensure that all required mounting brackets/hardware's are installed & tightened correctly. Suggest using white Lithium/regular grease between metal-to-metal contact.
Missing / Excess Hardware.	Recheck hardware count as per the part list.
Product not installing properly.	Ensure the Year/Make/Model as well as cab and bed dimensions are correct for the application. Review all steps for installation to ensure they were followed correctly.
Who should be contacted for questions regarding product / installation assistance?	www.trailfx.com / support@trailfx.com or 1-(866) 638-4870

CONTACT US

WEBSITE: TrailFX.com

PHONE: 1-866-638-4870

EMAIL: support@trailfx.com

WARRANTY TERMS

Black Powder Coated: Limited 3 Year Warranty

TrailFX and Keystone Automotive Operations Inc. make no guarantees or warranties for products not manufactured by Keystone Automotive Operations Inc. Such products are covered solely under any applicable warranty of the manufacturer. It is always recommended that the operating instructions and warranty instructions provided by the manufacturer are followed.

Keystone Automotive Operations Inc. warrants its products to be free from manufacturing and material defects to the original purchaser for the length of warranty stated above from the date of retail purchase. If any products are found to have a manufacturing or material defect, the product will be replaced or repaired at the option of TrailFX and Keystone Automotive Operations Inc. with proof of purchase by the original purchaser. The original purchaser shall pay all transportation and shipping costs associated with the return of the defective product and the defective product shall become the property of Keystone Automotive Operations Inc.

This Warranty applies to Keystone Automotive Operations Inc. products used for individual and recreational purposes. Commercial usage of the Keystone Automotive Operations Inc. products limits the warranty to 90 days from the date of purchase.

This Warranty applies only to Keystone Automotive Operations Inc. products which are found to be defective in manufacturing or material. This warranty does not apply to normal wear and tear of the finish placed on Keystone Automotive Operations Inc. products.

TrailFX and Keystone Automotive Operations Inc. are not responsible for any labor costs incurred for removal or replacement of the defective product.

TrailFX and Keystone Automotive Operations Inc. are not responsible for repair or replacement of any product under the limited warranty where the product was improperly installed, misapplied, altered, abused, neglected, overloaded, misused, or damaged as a result of an accident, including any use of the product not in accordance with all products operating and safety instructions.

Without limiting the generality of the foregoing, TrailFX and Keystone Automotive Operations Inc. shall under no circumstances be liable for any incidental or consequential loss or damage whatsoever arising out of, or in any way relating to any such breach of warranty or claimed defect in, or non-performance of the products. Some states do not allow the exclusion or limitation of incidental or consequential damages, so the above exclusion or limitation may not apply to you.

This limited warranty gives you specific legal rights, and you may also have other rights that vary from state to state.